

# Clarius®

## Clarius® PLUS Small

The Clarius range of high performance White-Light illuminators are designed to provide class leading performance, long life and ultra low maintenance.

Incorporating the latest surface mount LED's with enhanced optical output and outstanding reliability, they deliver excellent night-time images.

Each unit is fitted with integrated control circuitry to carefully control LED output, delivering consistent illumination and projected working life in excess of 10 years.

The Clarius® Plus range of illuminators includes a new interchangeable lens diffuser system; which allows the user to quickly and easily alter the angle of illumination. Elliptical beam profiles allow more light to be delivered where it is needed, allowing both longer distances and minimising light wastage. The system also helps to prevent overexposure of foreground objects.

As standard the illuminator includes interchangeable lensing to deliver 10° circular, 20°, 30°, 60°, 80° & 95° elliptical beam profiles. Installation is quick and easy, requiring only a 12-32V DC / 24V AC +/- 10%.

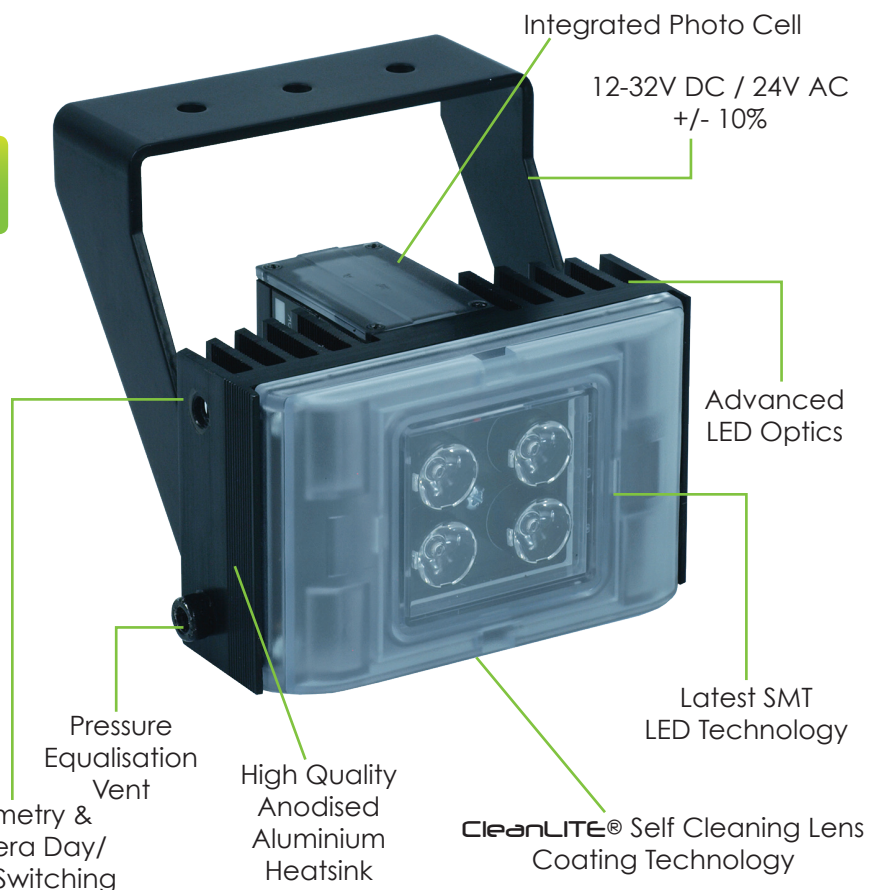
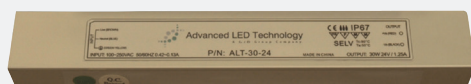
## PRODUCT FEATURES

- Small WL Illuminator
- Latest SMT LED Technology
- Distances Up To 81m (264')
- Low Power Consumption (15W)
- Long Life
- 5 Year Warranty
- IP66 Weather Proof Rating
- Built-in Photocell WL On/Off
- Photocell Following Contact
- Telemetry Input for Remote Switching
- 12-32V DC / 24V AC +/- 10%
- CleanLITE® Self Cleaning Lens Coating Technology
- Angle 10°, 20°, 30°, 60°, 80° & 95°
- Elliptical Beam Profiles



INTERCHANGEABLE DIFFUSER LENS

## Recommended PSU ALT-30-24



## SECTORS



RESIDENTIAL



COMMERCIAL



INDUSTRIAL



BORDERS



MILITARY BASES



PORTS



POWER PLANTS



HERITAGE



AIRPORTS



PRISONS

Product Code	Angle	Distance		FOV	
VS-CW	10° - Circular	81m	264'	14m	46'
	20° - Elliptical	54m	176'	19m	62'
	30° - Elliptical	47m	154'	25m	83'
	60° - Elliptical	34m	110'	39m	127'
	80° - Elliptical	27m	88'	45m	148'
	95° - Elliptical	20m	66'	44m	144'

## TECHNICAL SPECIFICATIONS

### GENERAL

Electronics	High Efficiency Surface Mount High Power LED's With Advanced Current Limited Integral Control Circuitry
Construction	Robust High Quality Aluminium Extrusion
Front Window	Polycarbonate High Transmission Protective (Vandal Proof) with <b>CleanLITE®</b> Technology
Finish	Black Anodised
Power Cable	3m (9ft) Including Photocell Following Contact & Remote Telemetry Input
Pressure Equalisation Vent	Prevents Thermal Expansion & Pressure Cycling
Photocell	Adjustable 20 -70 Lux
Illumination	Adjustable 10% - 100%
Operating Temperature	-50° to 50°C (-58° to 122°F)
Weight	750g (1.6lbs)
Mount	Powder Coated Stainless Steel Wall Mount
Dimensions	68 x 110 x 78mm (2.68" x 4.33" x 3.07")

### ELECTRICAL

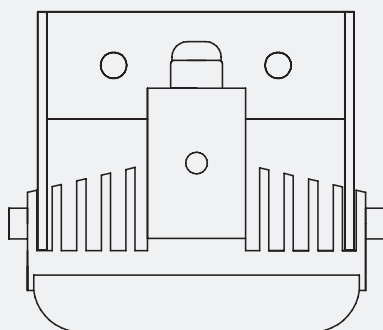
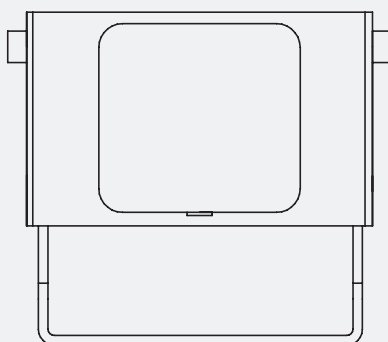
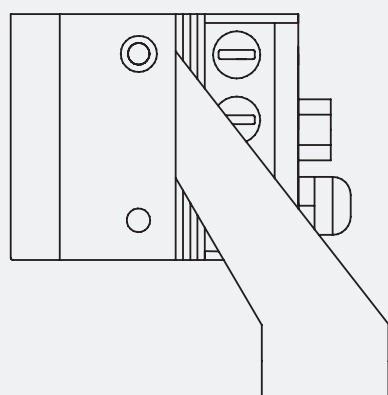
Input Voltage	12-32V DC or 24V AC +/- 10%
Input Current	0.6A at 24V AC
Consumption	15W

### LIGHTING OUTPUT

Lumen Output	928lm
Wavelength	Visible Spectrum (400-750nm)
Colour Temperature	6500k
Colour Rendering Index	74-80+

### CERTIFICATION

Safety	EN60598:2004 Electrical Safety
	EN60825-1 Laser Eye Safety
IP	IP66 In Accordance With EN60529:1992
EMC	EN61000, FCC Part 15. 107 15. 108 Class B
WEEE	Waste Electrical & Electronic Equipment European Directive 202/96/EC
RoHS	Restriction Of Hazardous Substance European Directive 202/95/EC



Please note GJD reserve the right to change the information within this document, without notice. **DSVS+-31-08-15**

[www.gjd.co.uk](http://www.gjd.co.uk) | [info@gjd.co.uk](mailto:info@gjd.co.uk) | +44 (0) 1706 363 998

Unit 2 Birch Business Park, Whittle Lane, Greater Manchester, Lancashire, OL10 2SX

